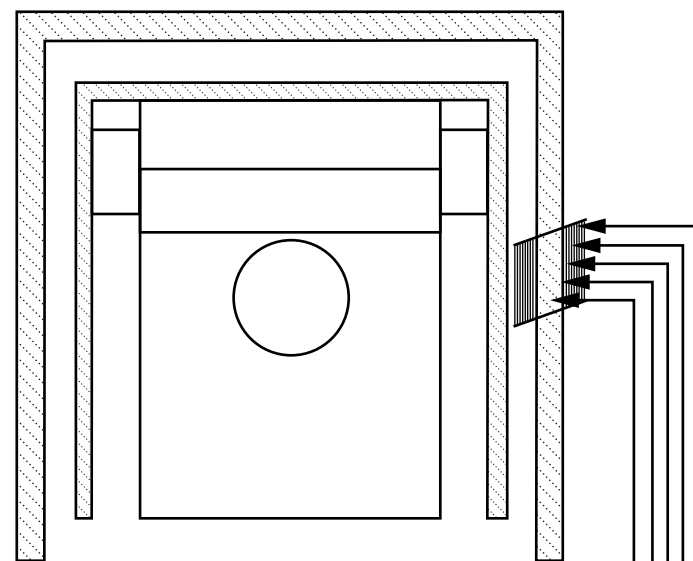


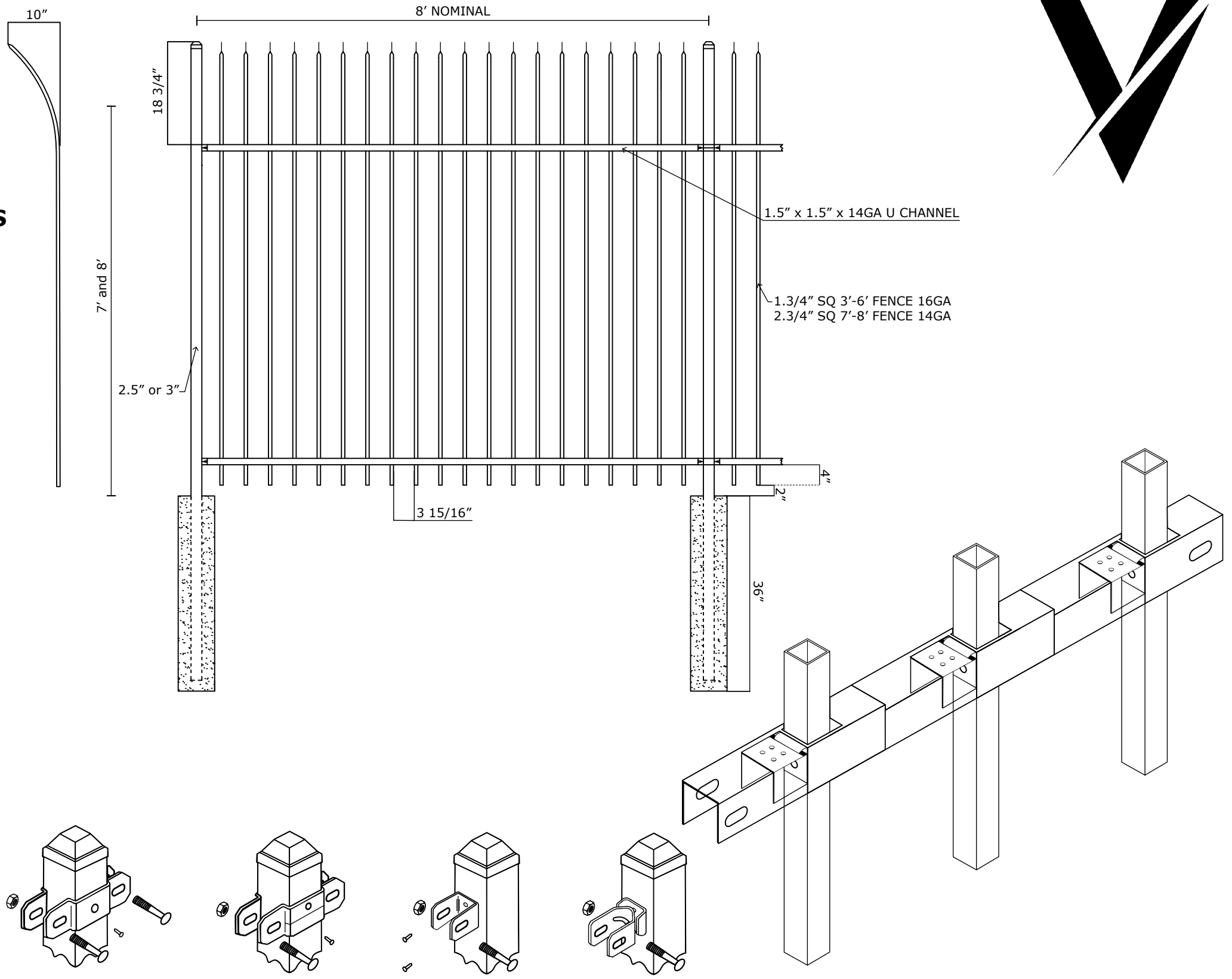


### VICTORY 2R COM CURVE SPEAR W/ EXTENDED PICKET SPECIFICATIONS

Pickets: 1.3/4" SQ 3'-6' FENCE 16GA  
2.3/4" SQ 7'-8' FENCE 14GA  
Rails: 1.5" x 1.5" x 14GA U CHANNEL  
Posts: 2.5" or 3"  
Heights: 7' and 8'



350MPA 4500 PSI STEEL  
G60 HOT DIP GALVANIZATION  
ZINC PHOSPHATE COAT + SAND BLAST COAT  
EPOXY PRIMER  
VICTORY TOP COAT (20 YEAR WARRANTY)



**VANTAGE FENCE**  
VICTORY RESIDENTIAL PANELS  
[www.vantagefence.com](http://www.vantagefence.com)

# 2R VIC COM CURVE SPEAR W/ EXTENDED PICKET