



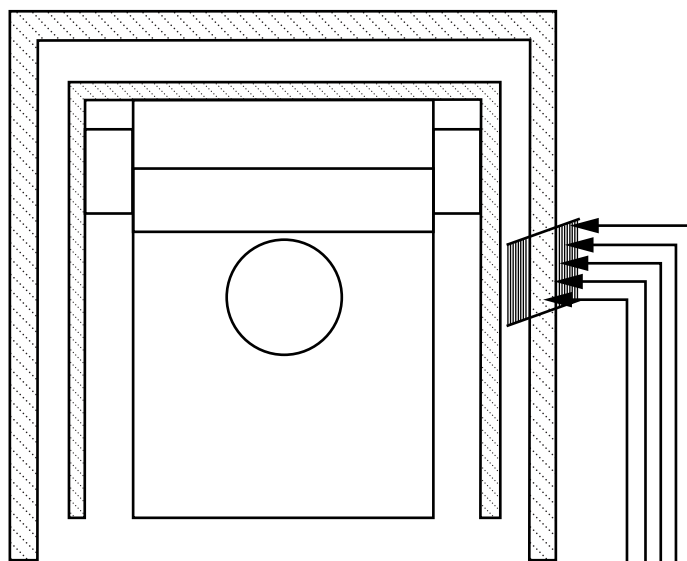
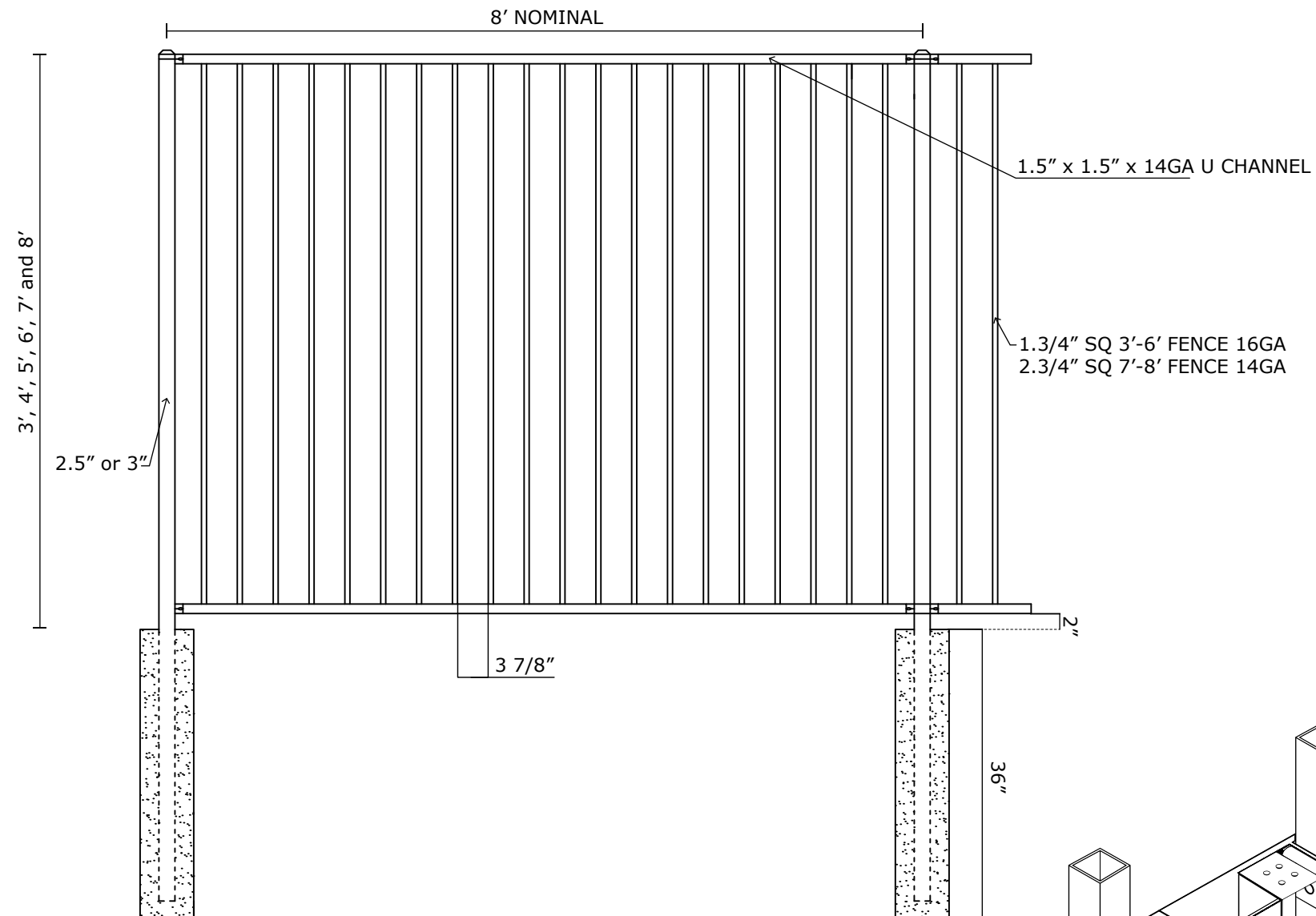
VICTORY 2R COM FLAT TOP W/ FLUSH BOTTOM SPECIFICATIONS

Pickets: 1.3/4" x SQ 3'-6' FENCE 16 GA
2.3/4" x SQ 7'-8' FENCE 14 GA

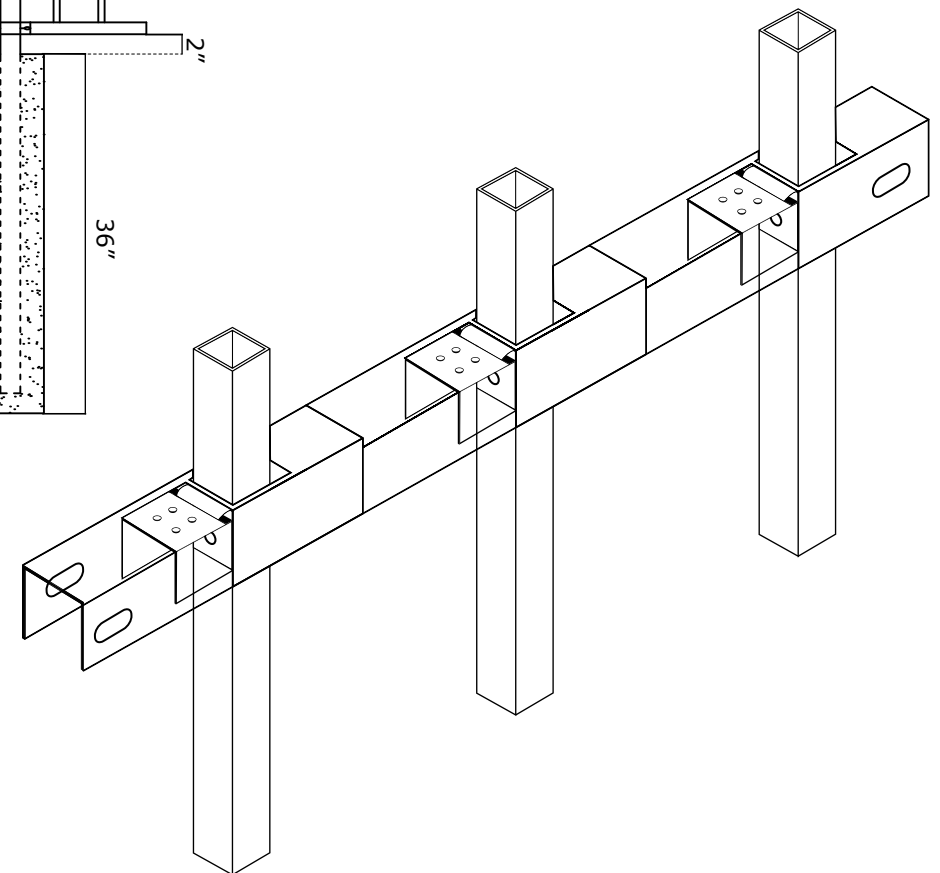
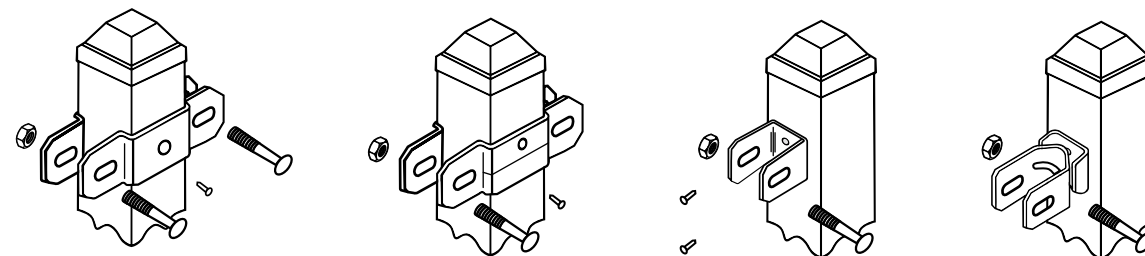
Rails: 1.5" x 1.5" x 14GA

Posts: 2.5" or 3"

Heights: 3', 4', 5', 6', 7' and 8'



350MPA 4500 PSI STEEL
G60 HOT DIP GALVANIZATION
ZINC PHOSPHATE COAT + SAND BLAST COAT
EPOXY PRIMER
VICTORY TOP COAT (20 YEAR WARRANTY)



VANTAGE FENCE
VICTORY RESIDENTIAL PANELS
www.vantagefence.com

2R VIC COM FLAT TOP W/ FLUSH BOTTOM