



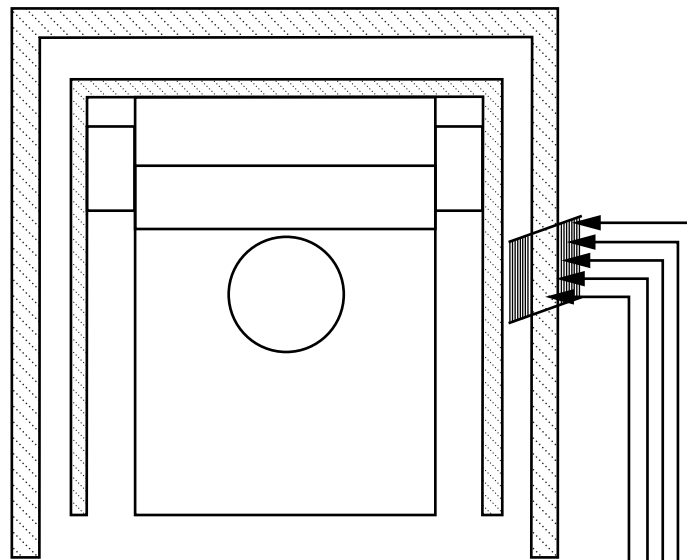
### VICTORY 2R IND FLAT TOP W/ EXTENDED PICKET SPECIFICATIONS

Pickets: 1" x 1" x 14GA or 16GA

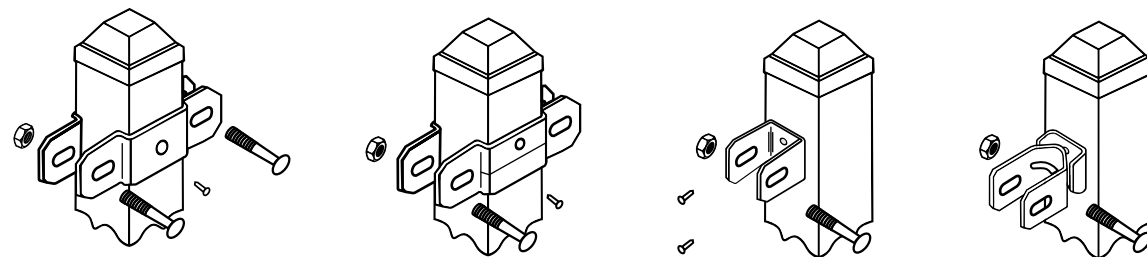
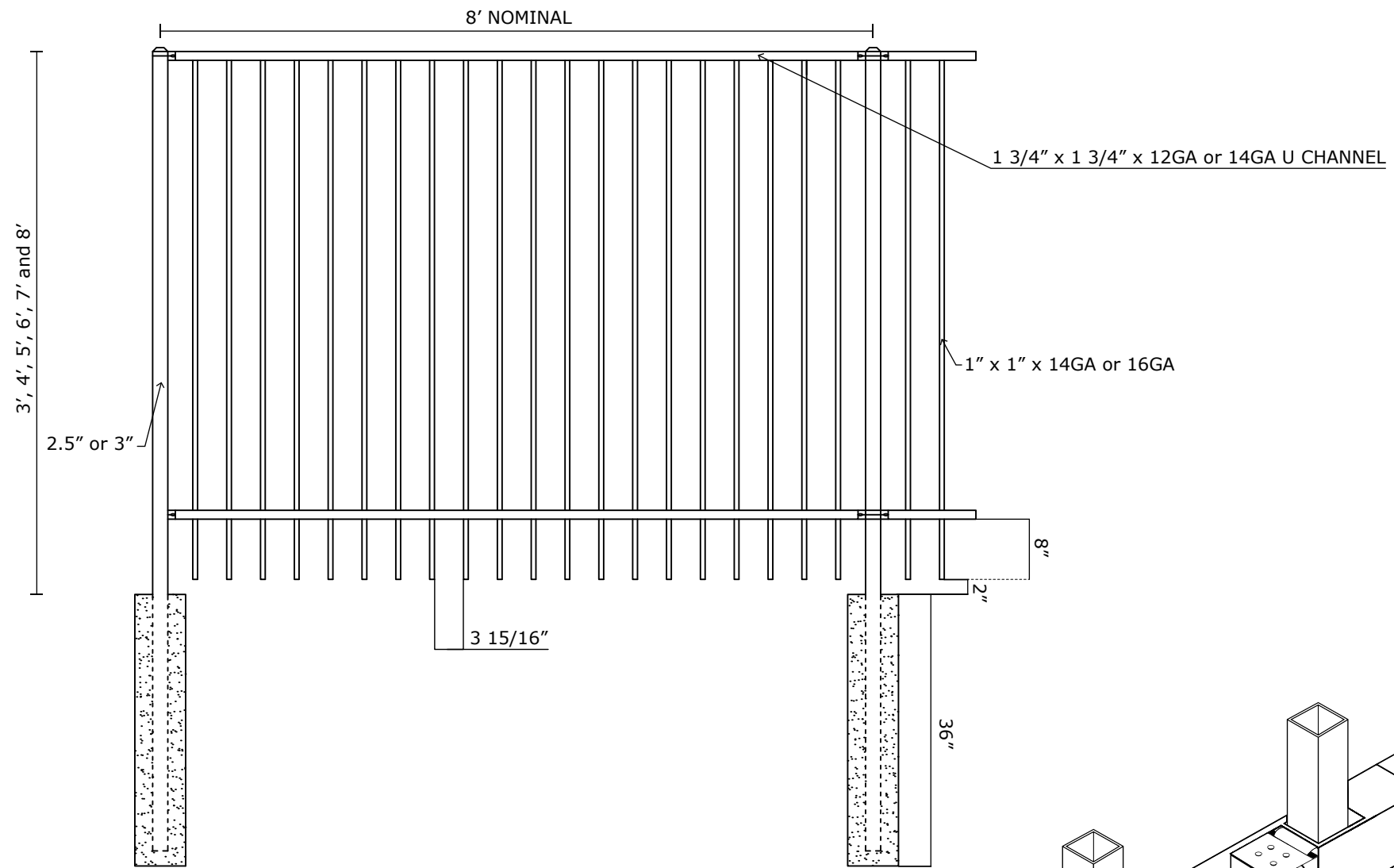
Rails: 1 3/4" x 1 3/4" x 12GA or 14GA

Posts: 2.5" or 3"

Heights: 3', 4', 5', 6', 7' and 8'



- 350MPA 4500 PSI STEEL
- G60 HOT DIP GALVANIZATION
- ZINC PHOSPHATE COAT + SAND BLAST COAT
- EPOXY PRIMER
- VICTORY TOP COAT (20 YEAR WARRANTY)



**VANTAGE FENCE**  
VICTORY RESIDENTIAL PANELS  
[www.vantagefence.com](http://www.vantagefence.com)

# 2R VIC IND FLAT TOP W/ EXTENDED PICKET