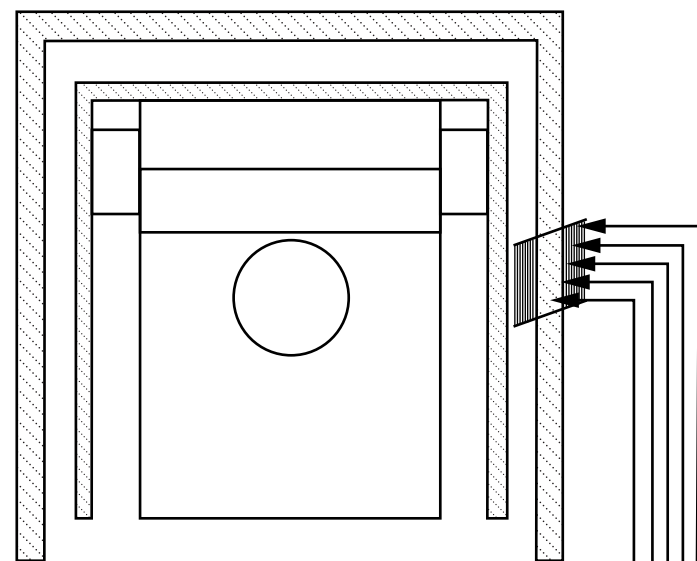
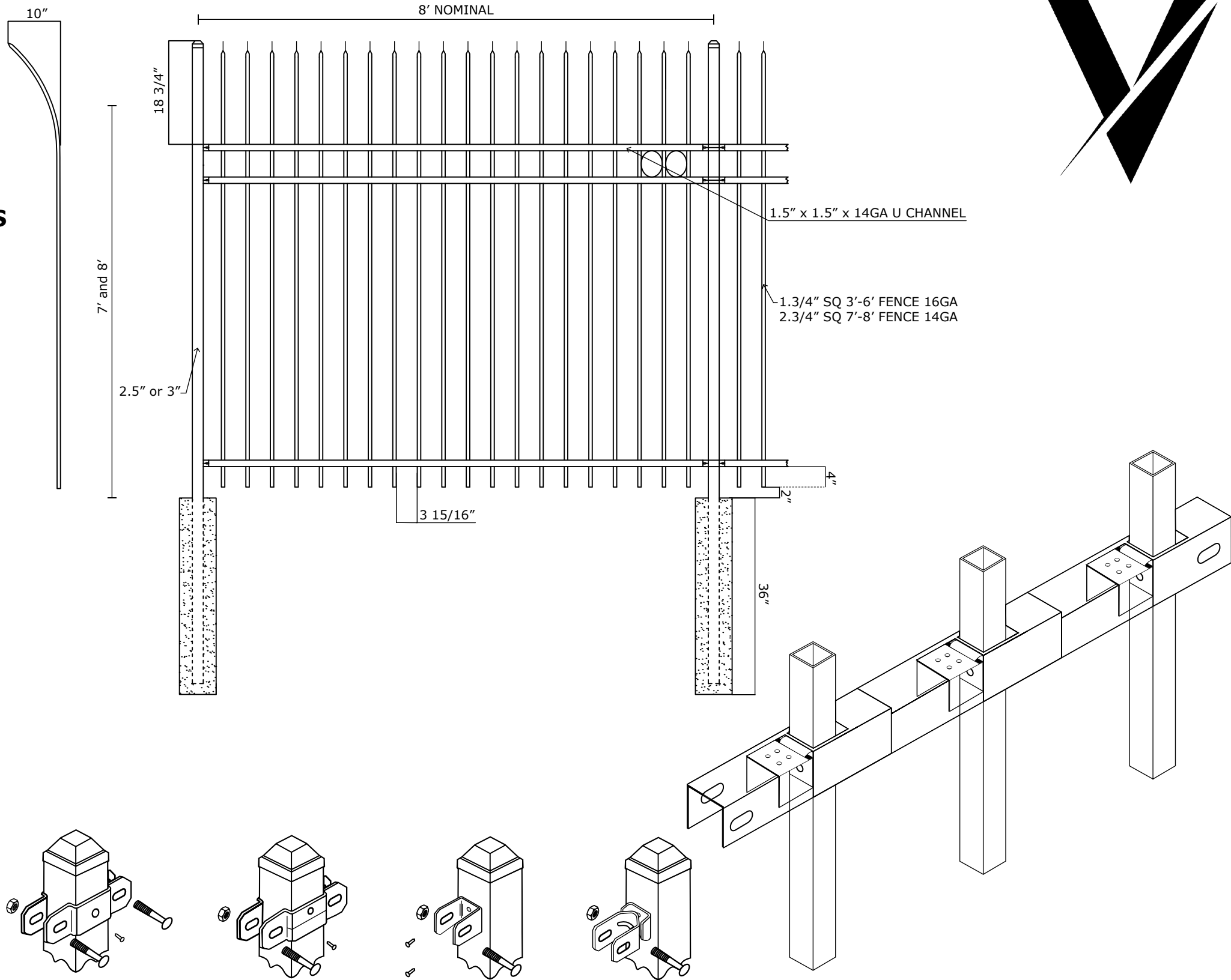


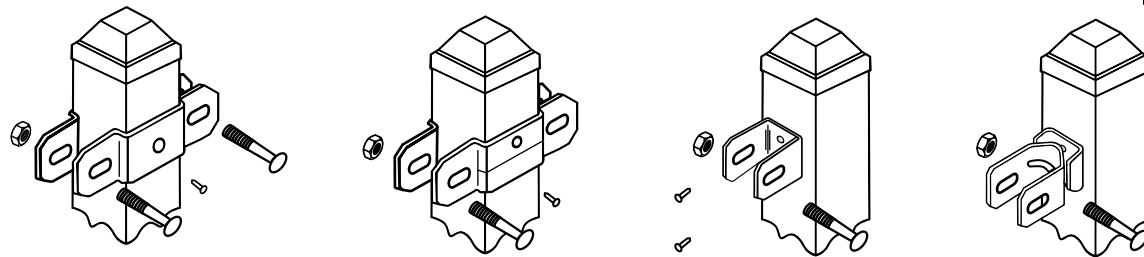


VICTORY 3R COM CURVE SPEAR W/ EXTENDED PICKET SPECIFICATIONS

Pickets: 1.3/4" SQ 3'-6' FENCE 16GA
2.3/4" SQ 7'-8' FENCE 14GA^L
Rails: 1.5" x 1.5" x 14GA U CHANNEL
Posts: 2.5" or 3"
Heights: 7' and 8'



350MPA 4500 PSI STEEL
G60 HOT DIP GALVANIZATION
ZINC PHOSPHATE COAT + SAND BLAST COAT
EPOXY PRIMER
VICTORY TOP COAT (20 YEAR WARRANTY)



VANTAGE FENCE
VICTORY RESIDENTIAL PANELS
www.vantagefence.com

3R VIC COM CURVE SPEAR W/ EXTENDED PICKET